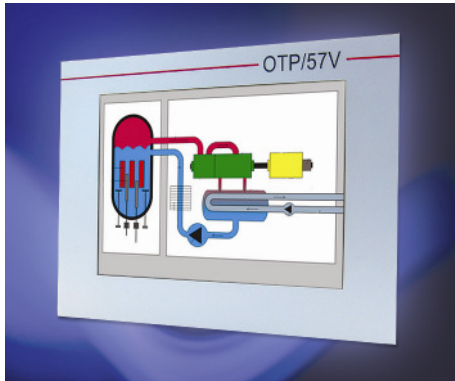


Product Information

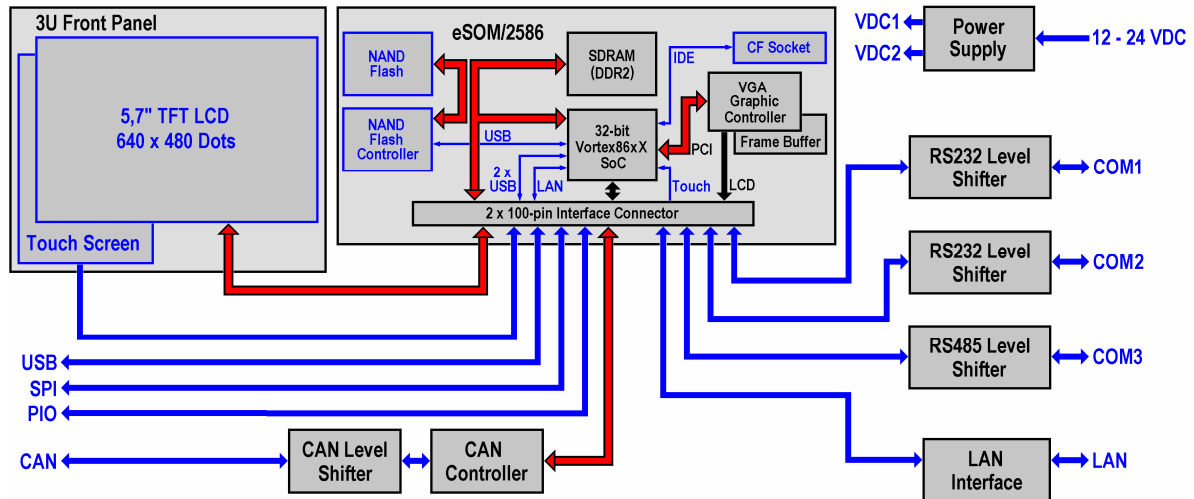
Operator Touch Panel OTP/57V

3U Operator Touch Panel Device with 5.7" VGA LCD, Touch Screen, Embedded PC and Java 6



Description

The OTP/57V is a compact PC-based open frame operator touch panel device for 3U 19" racks with 5.7" VGA color LCD and an analog resistive touch sensor. The OTP/57V is based on the System-on-Module eSOM/2586 and comes with a powerful 800 MHz Vortex86DX 32-bit x86 SoC (System-on-Chip), preinstalled Linux O/S, full-featured TCP/IP stack, Web (HTTP/HTTPS) server, Telnet/SSH server, FTP/SFTP server, TFTP support, full-featured X-Server, Java 6 (J2SE) and Swing run time environment.



The OTP/57V offers a rich set of I/O interfaces including 1x 10/100 Mbps Ethernet LAN, 2x 480 Mbps USB 2.0 host, 2x RS232, 1x RS485, 1x CAN, 1x SPI, 7-bit GPIO, 2x LED outputs, CompactFlash expansion and more.

The preinstalled software components on the OTP/57V (Linux O/S, X-Server with VGA LCD and touch screen support, Java 6 with Swing widget toolkit and API) allow the development of sophisticated platform independent graphical user interfaces with a procedural (Java- and Swing-based) or declarative (HTML- or XML-based) approach.

Technical Data OTP/57V

System-on-Module

| | |
|------------------------|---|
| CPU | Vortex86DX 32-bit x86 SoC |
| Speed | 800 MHz |
| BIOS | PC-compatible AMI Basic I/O System |
| RAM | 128 MByte DDR2 SDRAM @ 300 MHz bus speed |
| Flash | 1024 MByte NAND-type |
| LCD Interface | 18-bit TTL interface, VGA-based for TFT/STN panels |
| LCD Video Memory | 64 MByte video RAM with DDR2 interface |
| Touch Screen Interface | 4-wire for resistive touch panels (UART-based) |
| RTC | 1x Real Time Clock with external battery-backup |
| Watchdogs | 1x timer watchdog, 1x power supervisor |
| Mechanical | eSOM-200 form factor (2x 100-pin Hirose FX8C connector) |

I/O

| | |
|------------|---|
| UART | 2x RS232, 1x RS485 (16C550/16C552 compatible) |
| LAN | 1x 10/100 Mbps Ethernet |
| CAN | 1x SJA1000 with FullCAN and BasicCAN support |
| USB | 2x USB host port for external USB devices with HS (480 Mbps), FS and LS support |
| LCD | 5.7 VGA-size with 18-bit digital RGB interface and LED backlight |
| Touch | 4-wire analog resistive touch sensor |
| GPIO | 8-bit general purpose input output signals from eSOM/2586 PIO Port B |
| SPI | 1x SPI master interface with one chip select output signal |
| LED Output | 2x LED output signals for external power and LAN activity LED |

Special Functions

| | |
|----------------------|---|
| O/S | Linux 2.6.18 (Debian-based) with X-Server and Java 6 (J2SE) run time environment preinstalled |
| GUI Support | Java Swing widget toolkit and API preinstalled |
| Backlight Controller | Programmable LED backlight controller for LCD |
| SSD Expansion | 1x CompactFlash (CF) socket with IDE-based interface |
| Server | HTTP(S), Telnet, SSH, (S)FTP for Ethernet-based access |

Other

| | |
|-----------------------|---|
| Mechanical | Open frame architecture with four mounting points |
| Base Board | BB6/eSOM |
| 3U Front Panel Size | 162.2 mm x 128.8 mm |
| Power | 12 – 24 VDC |
| Operating Temperature | 0 – 60 °C (extended temperature range on request) |
| Storage Temperature | -20 – 70 °C |

Delivery

| | |
|---------|--|
| OTP/57V | Embedded User Interface device with eSOM/2586, base board BB6/eSOM, 5.7" VGA LCD, touch screen, front panel for 3U 19" rack mounting |
|---------|--|

SSV GmbH
Embedded Systems
Heisterbergallee 72
D-30453 Hannover

Phone: +49(0)511 / 40 000-0
Fax: +49(0)511 / 40 000-40
www.ssv-embedded.de
sales@ist1.de