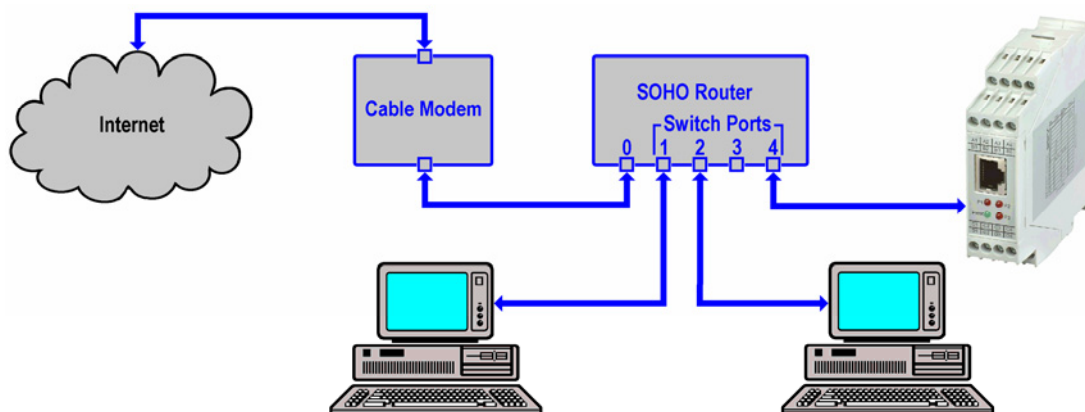


How to connect the IGW/800 or IGW/900 to the Internet

The DIL/NetPC DNP/528x shell of your IGW/800 or IGW/900 Linux Device Server is prepared for a connection to the Internet. The easiest way is a broadband-based Internet integration (i.e. with ADSL or similar).

- **1. Step:** Setup an infrastructure for the Internet integration. The following picture shows a sample for a small office environment. A cable modem and a SOHO router builds the base. The SOHO router runs a DHCP server to deliver IP addresses to the networks members if requested.



- **2. Step:** The Ethernet LAN interface (eth0) of the IGW/800 or IGW/900 supports DHCP-based IP address assignment. This is a build-in feature of the IGW/800 and IGW/900 Linux. See also *mHTigw8-13.pdf How to set the IGW/800 or IGW/900 IP Address with DHCP* for more details.
- **3. Step:** Check the IGW/800 or IGW/900 Internet connection. The following picture shows a sample. First we display the given IP address for the IGW/800 or IGW/900 Ethernet LAN interface (eth0) with an *ifconfig* command.

```

DIL-NetPC - HyperTerminal
Datei Bearbeiten Ansicht Anrufen Übertragung ?
# ifconfig eth0
eth0      Link encap:Ethernet  HWaddr 02:80:AD:20:84:6F
          inet addr:192.168.2.2  Bcast:192.168.2.255  Mask:255.255.255.0
          UP BROADCAST NOTRAILERS RUNNING MTU:1500 Metric:1
          RX packets:29 errors:29 dropped:0 overruns:0 frame:29
          TX packets:28 errors:0 dropped:0 overruns:0 carrier:0
          collisions:0 txqueuelen:100
          RX bytes:4637 (4.5 kiB)  TX bytes:4562 (4.4 kiB)
          Base address:0x1000

# ping 212.227.224.85
PING 212.227.224.85 (212.227.224.85): 56 data bytes
64 bytes from 212.227.224.85: icmp_seq=0 ttl=56 time=49.7 ms
64 bytes from 212.227.224.85: icmp_seq=1 ttl=56 time=50.1 ms
64 bytes from 212.227.224.85: icmp_seq=2 ttl=56 time=49.1 ms
64 bytes from 212.227.224.85: icmp_seq=3 ttl=56 time=47.7 ms
64 bytes from 212.227.224.85: icmp_seq=4 ttl=56 time=66.3 ms

--- 212.227.224.85 ping statistics ---
5 packets transmitted, 5 packets received, 0% packet loss
round-trip min/avg/max = 47.7/52.5/66.3 ms
#

```

Then we check the Internet connection with a *ping* command. The IGW/800 and IGW/900 Linux **don't supports DNS**. You can use a *ping* only with an IP address instead of a DNS name.

Please note: In every boot phase the IGW/800 or IGW/900 tries to get an IP address from a DHCP server. If no server is available, a timeout occurs. In this case, a static IP address is assigned to the IGW/800 or IGW/900 interface (eth0) port.

That is all.